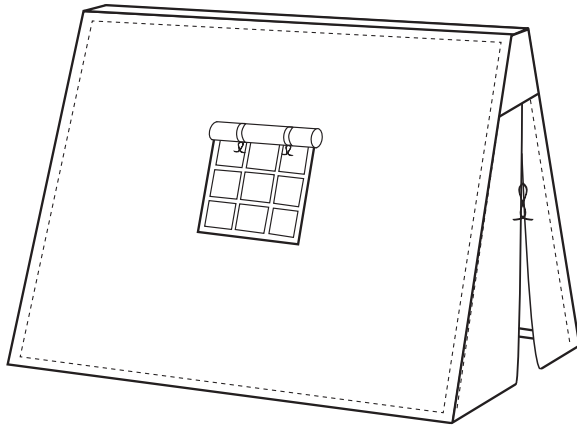
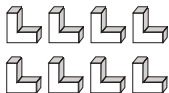


DESIGNED & DEVELOPED
CABANΛKIDS
TEEPEES & TENTS
IN THE UNITED KINGDOM



ASSEMBLY INSTRUCTIONS FOR
LILLIE PLAY TENT

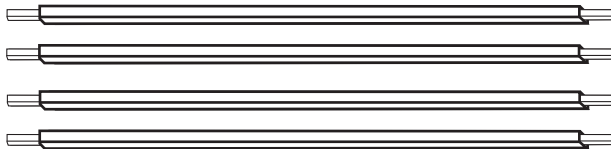
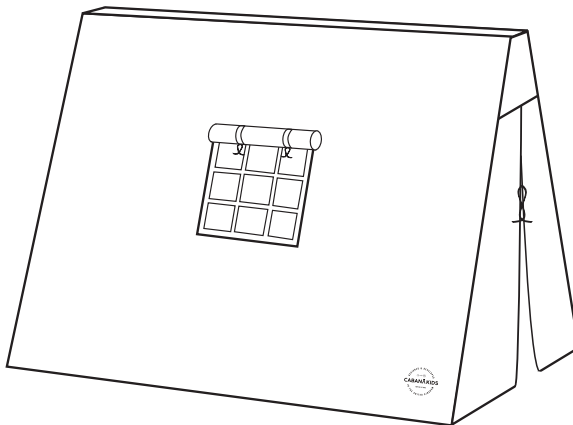
LILLIE PLAY TENT INCLUDES



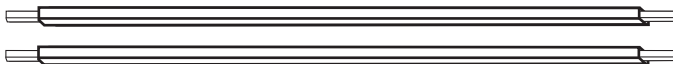
8 X METAL BRACKETS



CARRY CASE



4 X SMALLER WOODEN POLES FOR THE SIDES



2 X LARGE WOODEN POLES FOR THE BOTTOM



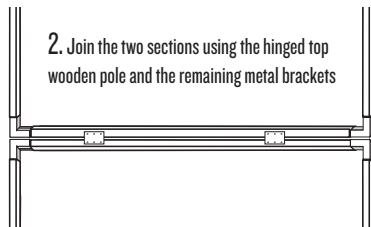
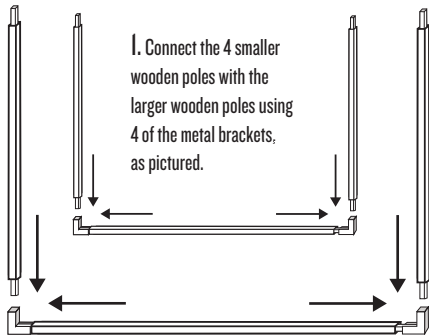
1 X HINGED WOODEN TOP POLE

LILLIE INSTRUCTIONS

IMPORTANT: ASSEMBLE WITH ADULT SUPERVISION ONLY.

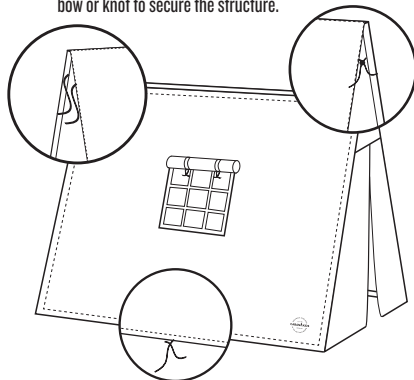
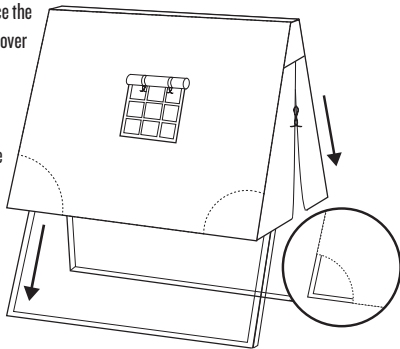
BEFORE ASSEMBLING, WE RECOMMEND

- IRONING THE COTTON CANVAS ON A LOW HEAT (INSIDE OUT)
- SETTING UP ON A NON-SLIP SURFACE



4. **IMPORTANT:** Fasten the inside ties at the top of the tent (front and back) into a strong bow or knot to secure the structure.

3. Lift the fully assembled frame and place the cotton canvas over the structure, ensuring the corners are tucked into the corresponding pockets.



5. Fasten ties around the bottom of the frame until fabric is taut.

NEED A HELPING HAND? ASSEMBLY VIDEOS AVAILABLE AT WWW.CABANAKIDS.CO.UK/HELP



THANK YOU

Your order means the world to us. We believe in keeping our world playful... And we're so glad you've joined the fun

UH OH, HAVE WE MADE AN ERROR?

We are here to help no matter what. Scribble us a note and let us put things right

info@cabanakids.co.uk

CAN WE SHARE?

Please tag us in your photos on Facebook and Instagram. If we repost, you'll get 15% off your next order, hurrah!

[#cabanakidstm](https://www.facebook.com/cabanakidstm) [@cabanakidstm](https://www.instagram.com/cabanakidstm)

PLEASE RECYCLE ME

We care, and we know you do too. Please recycle or reuse our boxes... We hear they make great forts, castles, and rockets. You can find out more about how little changes make big differences on our website.

WWW.CABANAKIDS.CO.UK